

Features

- Nominal Coupling 10dB
- Low Coupling Balance ± 0.5 dB
- Low Insertion Loss 1.3dB
- RoHS and REACH Compliant
- High Directivity 14dB

Electrical Specifications

Description	Units	Minimum	Typical	Maximum
Freq. Range	GHz	17.7		21.2
Nominal Coupling	dB		10	
Coupling Balance	dB		± 0.5	
Insertion Loss (True)	dB			1.3
Freq. Flatness	dB			1
Main Line VSWR				1.4
Secondary Line VSWR				1.4
Directivity	dB	14		
Input Power (CW)	W			20
Input Power (Peak)	KW			3
Impedance	Ohms		50	
Operating Temp.	°C	-45		+85

Special Requirements

Note

- Electronic Specification Note : Values at 25deg , sea level. Test indicators will deteriorate at high and low temperature ;
- Insertion Loss Including Nominal Coupling Loss 0.46 dB. ;
- Relative Humidity 5 to 95% ;

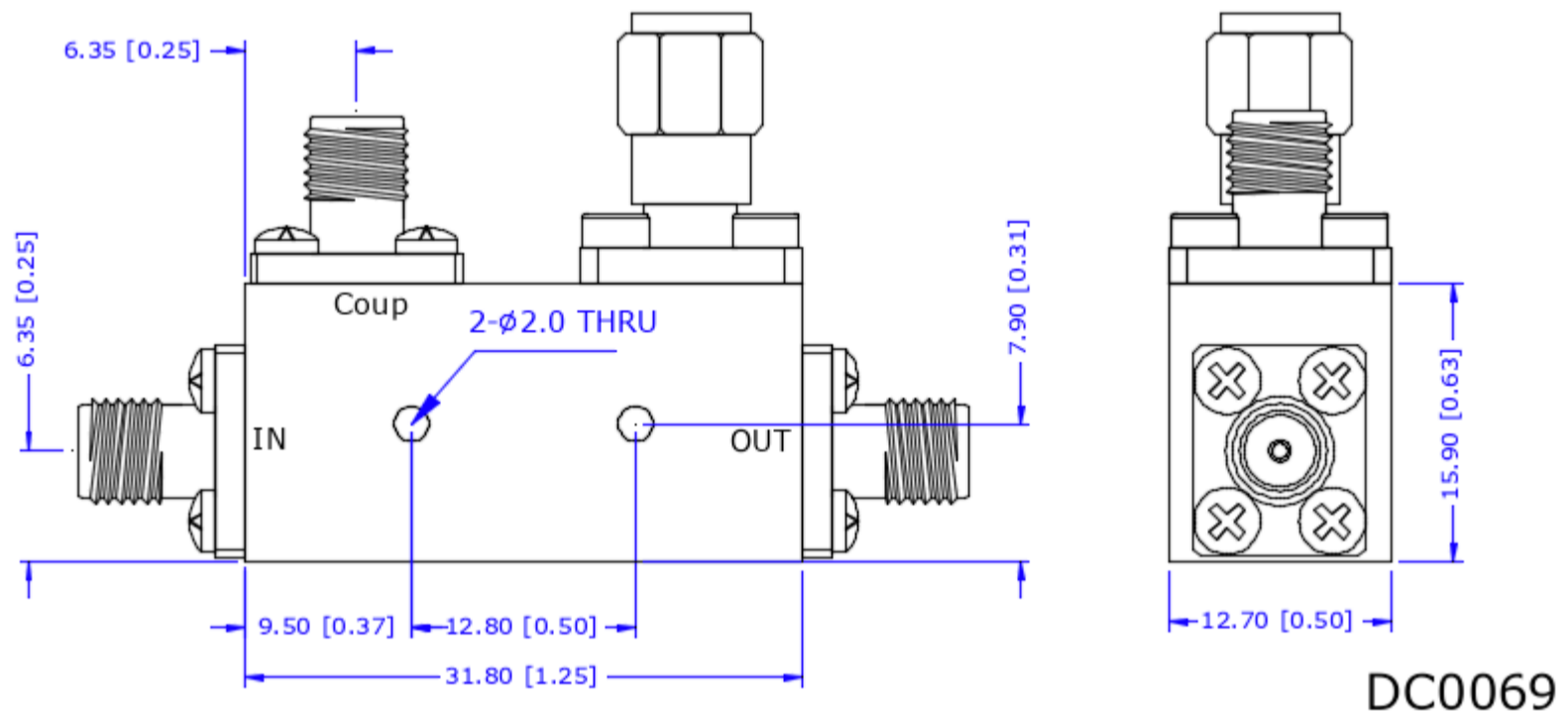
Mechanical Specifications

Dimension L*W*H	31.8*12.7*15.9 mm
Input Connector	SMA-Female Stainless Steel
Output Connectors	SMA-Female Stainless Steel
Weight	45 g
Finishing	Paint Black
Environment	Nominal

Compliance Certifications

RoHS Compliant	✓
REACH Compliant	✓

CAD Drawing



Dimensions are in mm [Inches]
 Tolerances : Outline drawing: ± 0.2 [0.008]
 Hole: ± 0.2 [0.008]