

Features

- Nominal Coupling 10dB
- Low Coupling Balance ± 1 dB
- Low Insertion Loss 1.1dB
- RoHS and REACH Compliant
- High Directivity 18dB

Electrical Specifications

Description	Units	Minimum	Typical	Maximum
Freq. Range	GHz	10.7		12.75
Nominal Coupling	dB		10	
Coupling Balance	dB		± 1	
Insertion Loss (True)	dB			1.1
Freq. Flatness	dB			/
Main Line VSWR				1.3
Secondary Line VSWR				1.3
Directivity	dB	18		
Input Power (CW)	W			50
Input Power (Peak)	KW			0.1
Impedance	Ohms		50	
Operating Temp.	°C	-45		+85

Special Requirements

Note

- Electronic Specification Note : Values at 25deg , sea level. Test indicators will deteriorate at high and low temperature ;
- Insertion Loss Including Nominal Coupling Loss 0.46 dB. ;
- Relative Humidity 5 to 95% ;

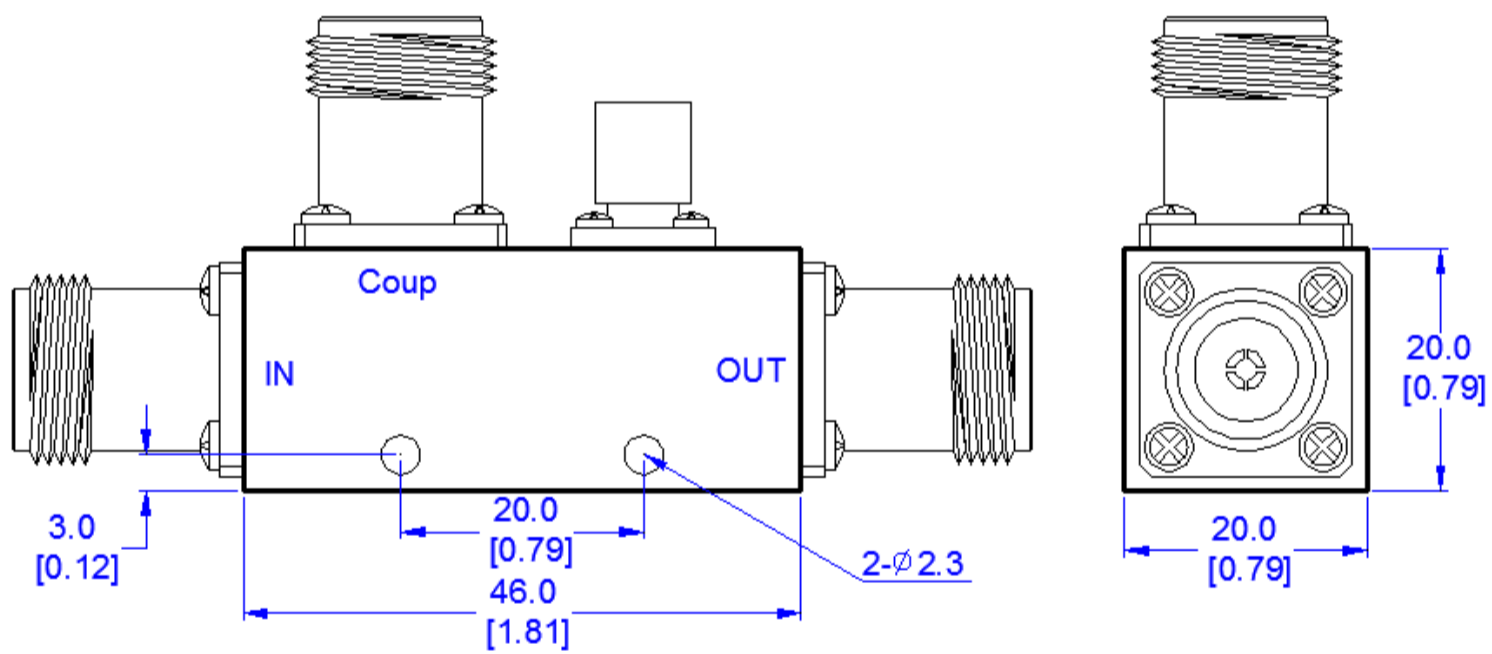
Mechanical Specifications

Dimension L*W*H	46*20*20 mm
Input Connector	N-Female Ni Plating
Output Connectors	N-Female Ni Plating
Weight	TBD g
Finishing	Paint Black
Environment	Nominal

Compliance Certifications

RoHS Compliant	✓
REACH Compliant	✓

CAD Drawing



Dimensions are in mm [Inches]
 Tolerances : Outline drawing: ±0.2 [0.008]
 Hole: ±0.2 [0.008]