

## Features

- Nominal Coupling 10dB
- Low Coupling Balance  $\pm 1.5$ dB
- Low Insertion Loss 2.2dB
- RoHS and REACH Compliant
- High Directivity 8dB

## Electrical Specifications

Description	Units	Minimum	Typical	Maximum
Freq. Range	GHz	10		60
Nominal Coupling	dB		10	
Coupling Balance	dB		$\pm 1.5$	
Insertion Loss (True)	dB			2.2
Freq. Flatness	dB			3.0
Main Line VSWR				1.8
Secondary Line VSWR				1.8
Directivity	dB	8	10	
Input Power (CW)	W			30
Input Power (Peak)	KW			0.3
Impedance	Ohms		50	
Operating Temp.	°C	-40		+70

## Special Requirements

## Note

- Electronic Specification Note : Values at 25deg , sea level. Test indicators will deteriorate at high and low temperature ;
- Insertion Loss Including Nominal Coupling Loss 0.46 dB. ;
- Relative Humidity 5 to 95% ;

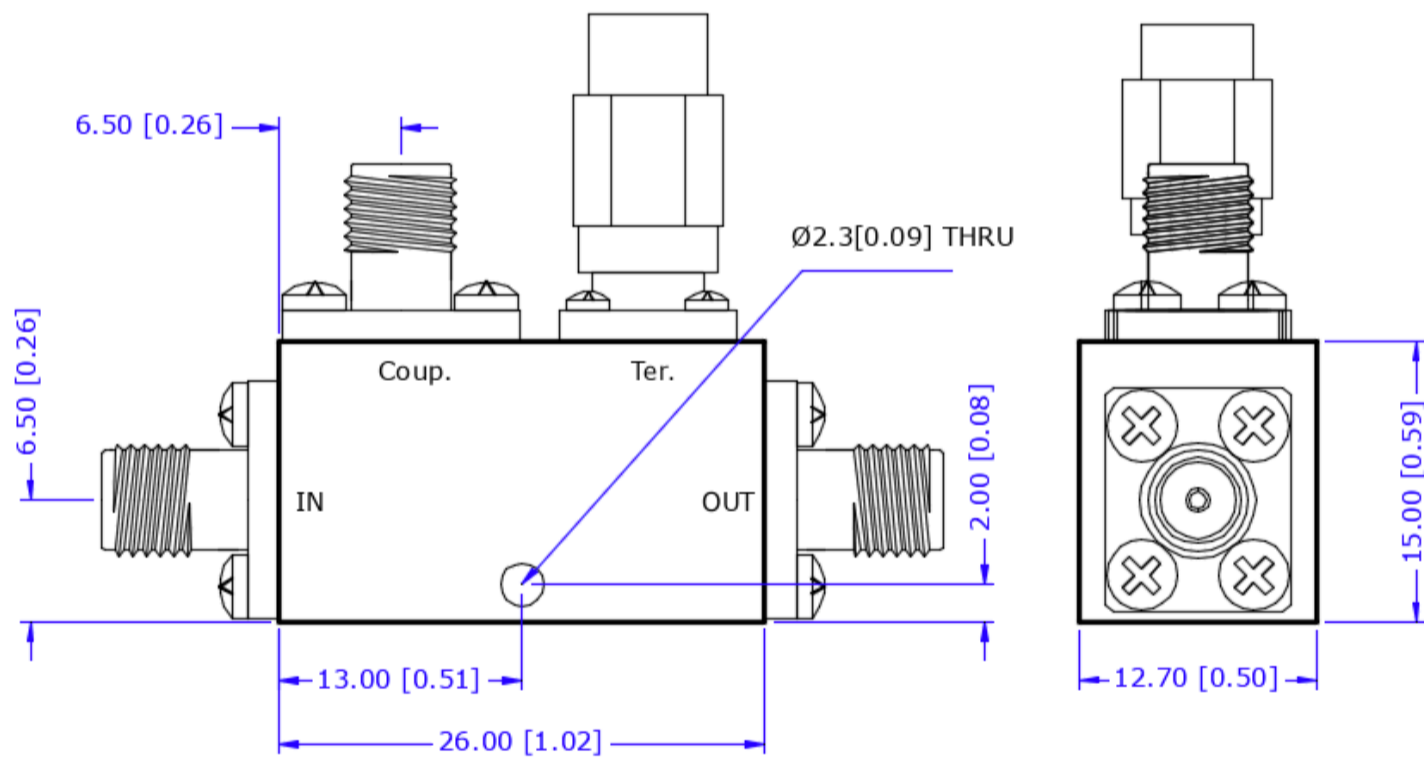
**Mechanical Specifications**

Dimension L*W*H	26*15*12.7 mm
Input Connector	1.85mm-Female Stainless Steel
Output Connectors	1.85mm-Female Stainless Steel
Weight	TBD g
Finishing	Paint Blue
Environment	Nominal

**Compliance Certifications**

RoHS Compliant	✓
REACH Compliant	✓

**CAD Drawing**



Dimensions are in mm [Inches]  
 Tolerances : Outline drawing: ±0.2 [0.008]  
 Hole: ±0.2 [0.008]