

## Features

- Nominal Coupling 10dB
- Low Coupling Balance  $\pm 1$ dB
- Low Insertion Loss 1.2dB
- RoHS and REACH Compliant
- High Directivity 13dB

## Electrical Specifications

Description	Units	Minimum	Typical	Maximum
Freq. Range	GHz	7.5		16
Nominal Coupling	dB		10	
Coupling Balance	dB		$\pm 1$	
Insertion Loss (True)	dB			1.2
Freq. Flatness	dB			1.5
Main Line VSWR				1.5
Secondary Line VSWR				1.5
Directivity	dB	13	15	
Input Power (CW)	W			50
Input Power (Peak)	KW			3
Impedance	Ohms		50	
Operating Temp.	$^{\circ}$ C	-40		+85

## Special Requirements

## Note

- Electronic Specification Note : Values at 25deg , sea level. Test indicators will deteriorate at high and low temperature ;
- Insertion Loss Including Nominal Coupling Loss 0.46 dB. ;
- Relative Humidity 5 to 95% ;

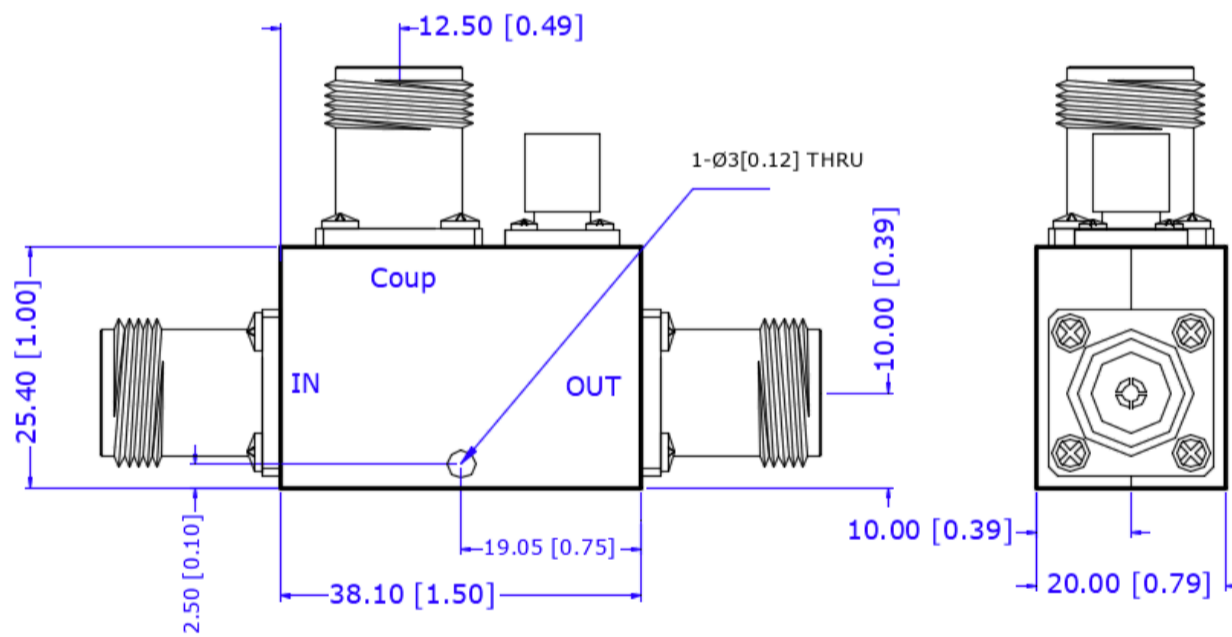
### Mechanical Specifications

Dimension L*W*H	38.1*25.4*20 mm
Input Connector	N-Female Stainless Steel
Output Connectors	N-Female Stainless Steel
Weight	TBD g
Finishing	Paint Black
Environment	Nominal

### Compliance Certifications

RoHS Compliant	✓
REACH Compliant	✓

### CAD Drawing



DC0030

Dimensions are in mm [Inches]  
 Tolerances : Outline drawing: ±0.2 [0.008]  
 Hole: ±0.2 [0.008]