

Features

- Nominal Coupling 10dB
- Low Coupling Balance ± 1.5 dB
- Low Insertion Loss 1.7dB
- RoHS and REACH Compliant
- High Directivity 10dB

Electrical Specifications

Description	Units	Minimum	Typical	Maximum
Freq. Range	GHz	0.5		18
Nominal Coupling	dB		10	
Coupling Balance	dB		± 1.5	
Insertion Loss (True)	dB			1.7
Freq. Flatness	dB			2.0
Main Line VSWR				1.4
Secondary Line VSWR				1.4
Directivity	dB	10		
Input Power (CW)	W			30
Input Power (Peak)	KW			0.5
Impedance	Ohms		50	
Operating Temp.	°C	-45		+85

Special Requirements

Directivity: 12dB min.@0.5-12.4GHz, 15dB tpy.@0.5-12.4GH 10dB min.@12.4-18GHz, 13dB tpy.@12.4-18GHz. Insertion Loss: 1.7dB max.@0.5-18GHz, 1.5dB tpy.@0.5-18GHz;

Note

- Electronic Specification Note : Values at 25deg , sea level. Test indicators will deteriorate at high and low temperature ;
- Insertion Loss Including Nominal Coupling Loss 0.46 dB. ;
- Relative Humidity 5 to 95% ;

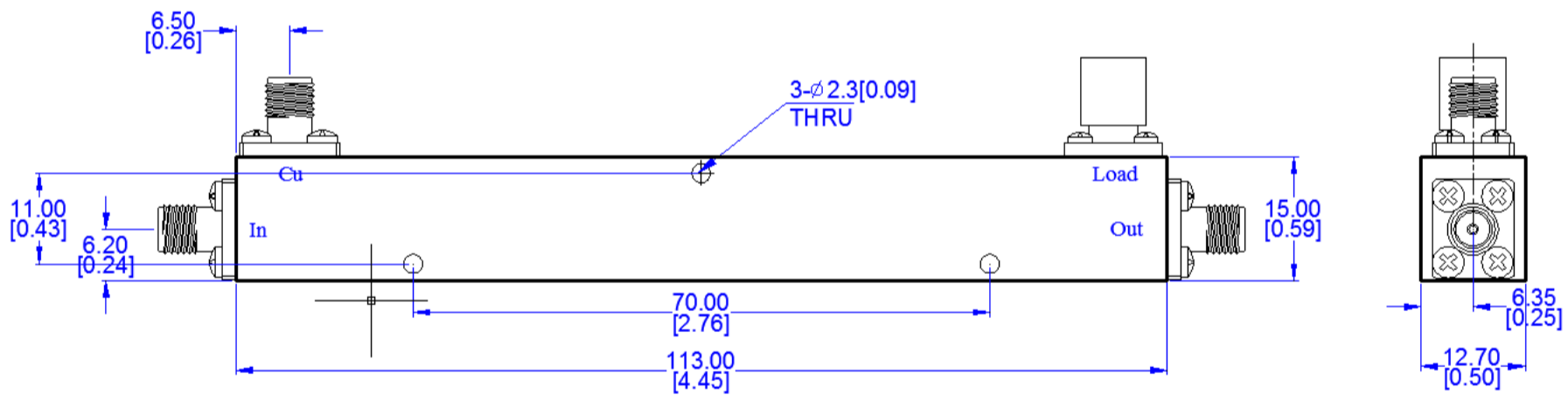
Mechanical Specifications

Dimension L*W*H	113*15*12.7 mm
Input Connector	SMA-Female Stainless Steel
Output Connectors	SMA-Female Stainless Steel
Weight	TBD g
Finishing	Paint Black
Environment	Nominal

Compliance Certifications

RoHS Compliant	✓
REACH Compliant	✓

CAD Drawing



Dimensions are in mm [Inches]
 Tolerances : Outline drawing: ±0.2 [0.008]
 Hole: ±0.2 [0.008]