

Features

- Nominal Coupling 6dB
- Low Coupling Balance ± 1 dB
- Low Insertion Loss 2.6dB
- RoHS and REACH Compliant
- High Directivity 8dB

Electrical Specifications

| Description | Units | Minimum | Typical | Maximum |
|-----------------------|-------|---------|---------|---------|
| Freq. Range | GHz | 34.5 | | 37 |
| Nominal Coupling | dB | | 6 | |
| Coupling Balance | dB | | ± 1 | |
| Insertion Loss (True) | dB | | | 2.6 |
| Freq. Flatness | dB | | | 1.4 |
| Main Line VSWR | | | | 1.6 |
| Secondary Line VSWR | | | | 1.6 |
| Directivity | dB | 8 | 10 | |
| Input Power (CW) | W | | | 30 |
| Input Power (Peak) | KW | | | 0.5 |
| Impedance | Ohms | | 50 | |
| Operating Temp. | °C | -45 | | +85 |

Special Requirements

Note

- Electronic Specification Note : Values at 25deg , sea level. Test indicators will deteriorate at high and low temperature ;
- Insertion Loss Including Nominal Coupling Loss 1.26 dB. ;
- Relative Humidity 5 to 95% ;

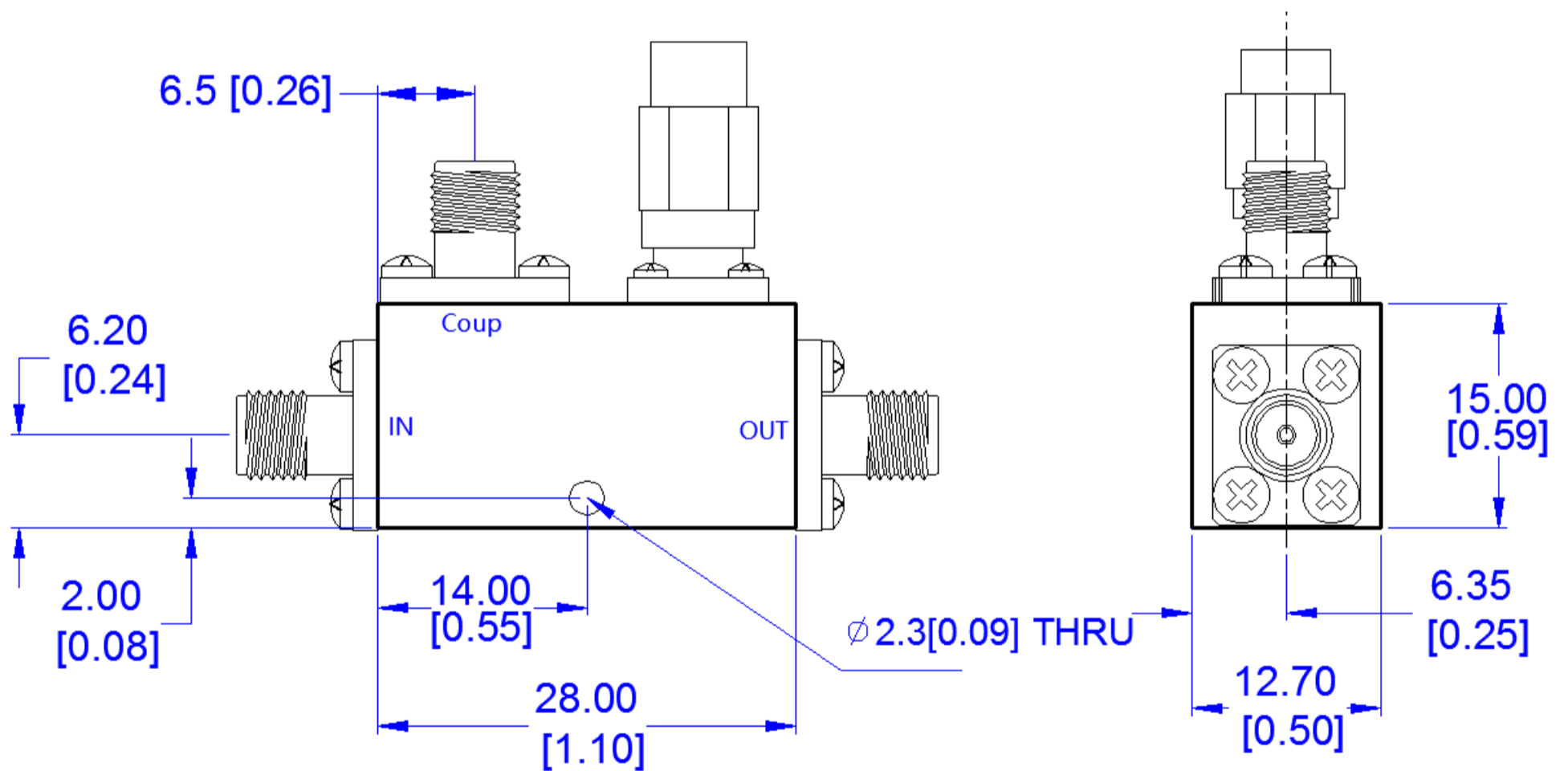
Mechanical Specifications

| | |
|-------------------|-------------------------------|
| Dimension L*W*H | 28*15*12.7 mm |
| Input Connector | 2.92mm-Female Stainless Steel |
| Output Connectors | 2.92mm-Female Stainless Steel |
| Weight | 30 g |
| Finishing | Paint Black |
| Environment | Nominal |

Compliance Certifications

| | |
|-----------------|---|
| RoHS Compliant | ✓ |
| REACH Compliant | ✓ |

CAD Drawing



Dimensions are in mm [Inches]
 Tolerances : Outline drawing: ± 0.2 [0.008]
 Hole: ± 0.2 [0.008]